

High Efficiency ,synchronous PFM step-up DC-DC converter

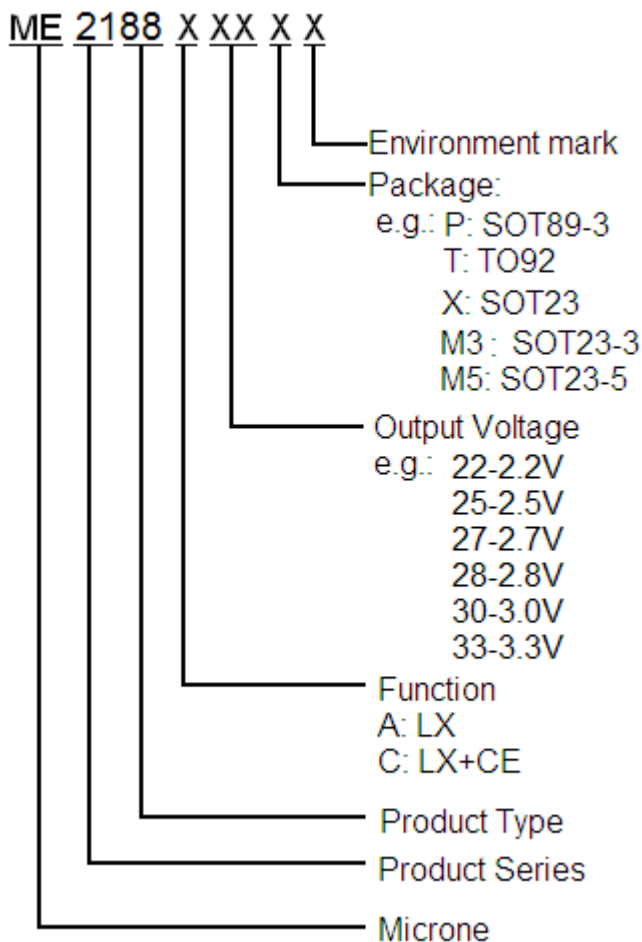
General Description

ME2188 Series is a PFM Step-up DC/DC converter IC with low supply current by CMOS process. High frequency noise that occurs during switching is reduced by using advanced circuit designed, output voltage is programmable in 0.1V steps between 1.8V~5.0V and maximum frequency is 350KHz(TYP.). A low ripple, high efficiency step-up DC/DC converter can be constructed of ME2188Xxx with only two external components. ME2188Xxx is suitable for use with battery-powered instruments with low noise and low supply current.

Features

- High efficiency: 95%
- Maximum frequency: 350KHz
- Low Quiescent Current: 13μA
- Input Voltage: 0.9V~5.0V
- Output Voltage Range:1.8V to 5.0V
- High Accuracy:± 2%
- Low ripple and Low noise
- Package:
SOT23-3, SOT23-5, SOT23, SOT89-3, TO-92

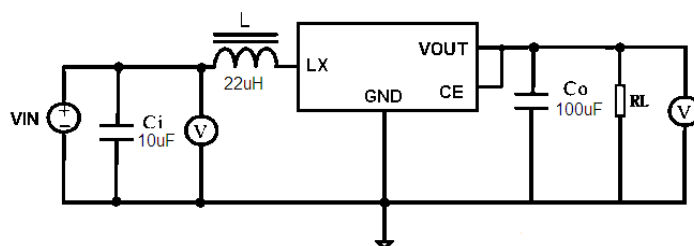
Selection Guide



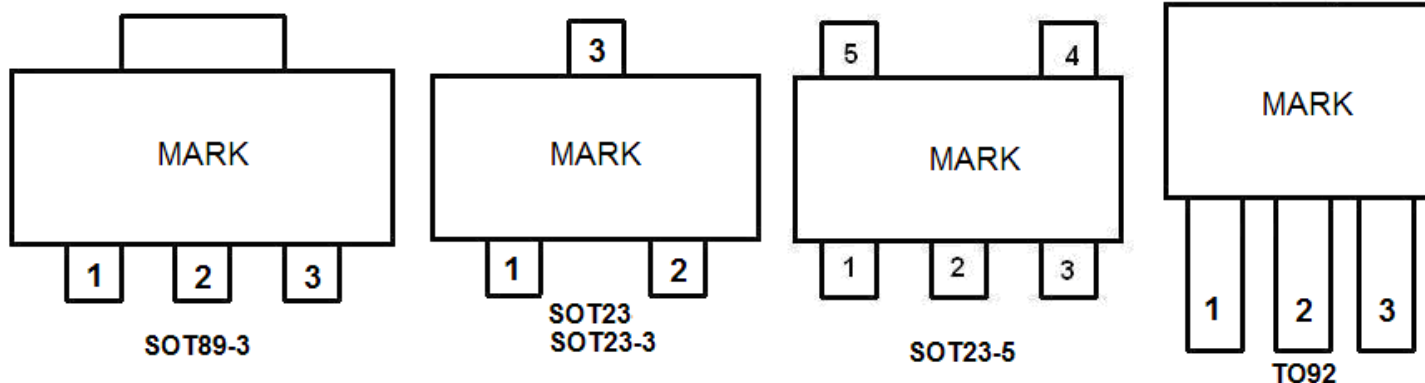
Typical Application

- Power source for battery-powered equipment
- Power source for Wireless mouse,toys, Cameras, VCRs, PDAs, MP3, and Led lighting etc

Typical Application Circuit



Pin Configuration



Pin Assignment

TYPE	POSTFIX	PACKAGE	SWITCHING TRANSISTOR	CE FUNCTION	FEATURES
ME2188Axx	X	SOT23	Build in Transistor	No	Lx
	M3	SOT23-3			
	P	SOT89-3			
	T	TO92			
ME2188Cxx	M5	SOT23-5	Build in Transistor	Yes	LX+CE

ME2188AXX

Pin Number				Pin Name	Description
SOT89-3	SOT23-3	SOT23	TO-92		
1	1	1	1	GND	Ground
2	3	3	2	VOUT	Voltage output
3	2	2	3	LX	Switch pin

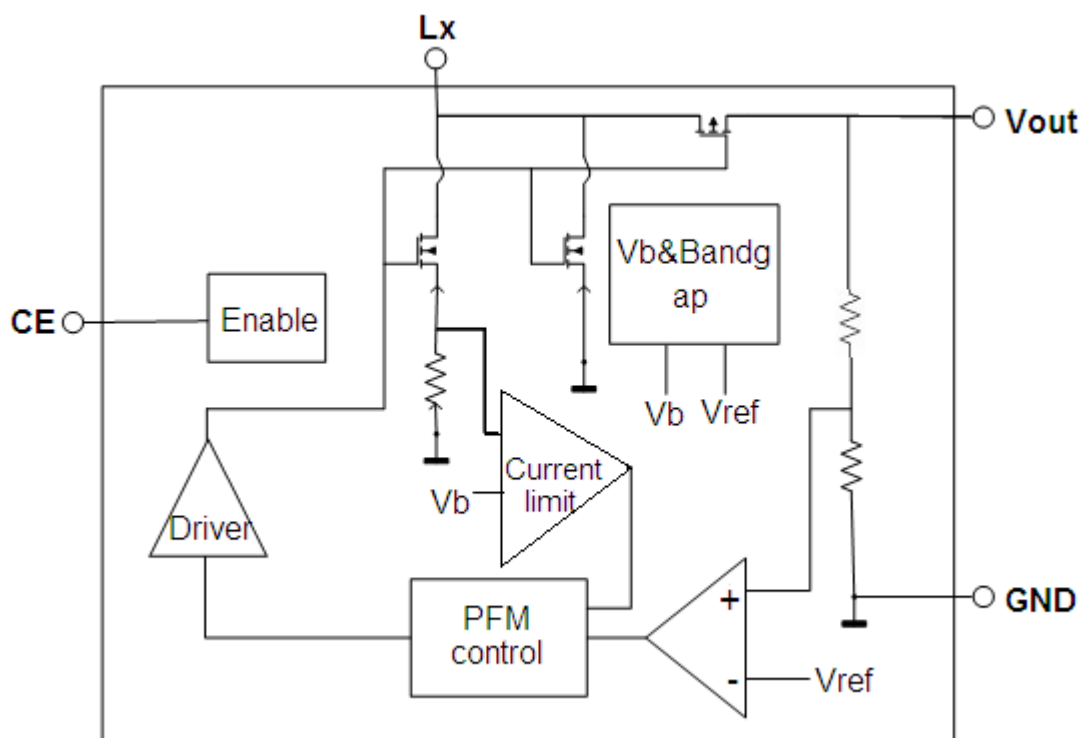
ME2188CXX

PIN Number	Pin Name	Description
SOT23-5		
1	CE	Chip enable
2	VOUT	Output voltage monitor, IC internal power supply
3	NC	NC
4	GND	Ground
5	LX	Switch

Absolute Maximum Ratings

Parameter	Symbol	Ratings	Units	
Supply Voltage	V_{MAX}	8	V	
LX pin current	ILXmax	1000	mA	
Continuous Total Power Dissipation	SOT23	P_D	300	mW
	SOT89	P_D	500	mW
	TO92	P_D	500	mW
Operating Temperature Range	T_{OPR}	-20~+85	°C	
Storage Temperature Range	T_{STG}	-40~125	°C	
ESD	V_{ESD}	2000	V	

Block Diagram



Electrical Characteristics

$T_A=25^{\circ}\text{C}$, $V_{in}=V_{OUT}\times 0.6\text{V}$, $L=22\mu\text{H}$, $C_{IN}=10\mu\text{F}$, $C_{OUT}=100\mu\text{F}$, unless otherwise noted.

ME2188Axx/Cxx

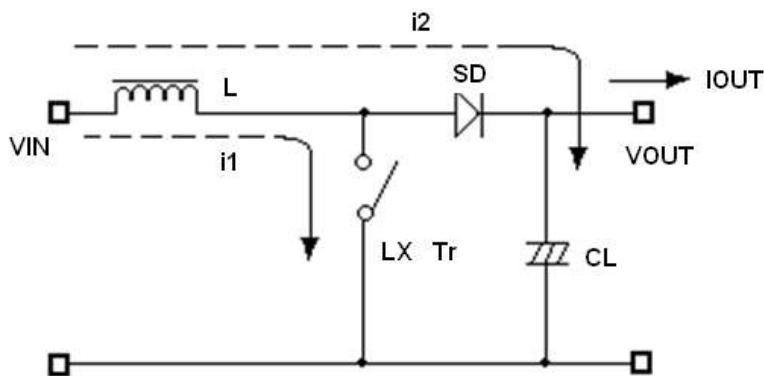
Symbol	Parameter	Test Conditions	MIN	TYP	MAX	UNIT
V_{OUT}	Output Voltage		$V_{OUT}\times 0.98$	V_{OUT}	$V_{OUT}\times 1.02$	V
V_{IN}	Supply Voltage		0.9	-	5	V
V_{START}	Start voltage	$I_{load}=1\text{mA}$, $V_{in}: 0\rightarrow 2\text{V}$	-	0.85	1.1	V
V_{hold}	Hold voltage	$I_{load}=1\text{mA}$, $V_{in}: 2\rightarrow 0\text{V}$	0.5	-	-	V
F_{OSC}	oscillation frequency		-	350	-	KHz
η	Efficiency		-	90	95	%
I_{limit}	Current limit		800	1000	1200	mA
I_{IN}	Quiescent Current		-	13	15	μA

Note: 1、Inductor: $22\mu\text{H}$ ($r<0.5\Omega$)

2、Capacitor: Tantalum type

Operation Description

ME2188 step-up DC/DC converter charges energy in the inductor when Lx Transistor is on, and discharges the energy with the addition of the energy from input power source thereto, so that a higher output voltage than the input voltage is obtained. Following is the operation diagram.



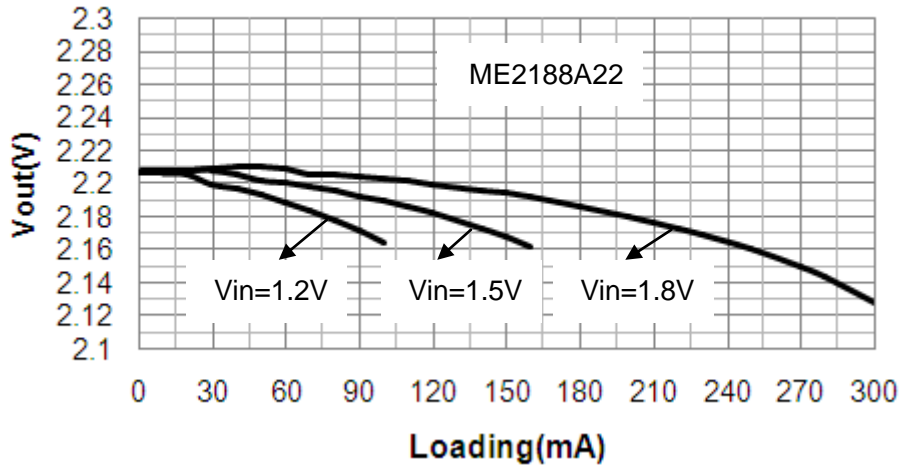
Switching DC/DC Step up Converter operating process

➤ PCB Layout:

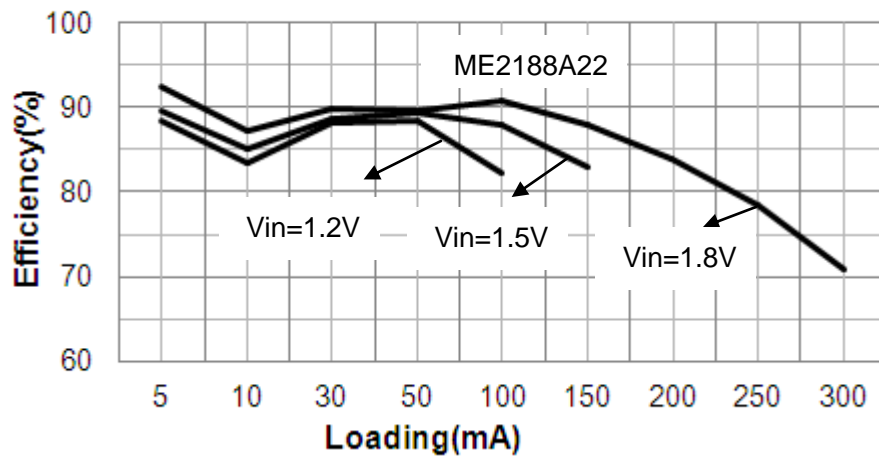
- ✧ Set external components as close as possible to the IC and minimize the connection between the components and the IC. In particular, when an external component is connected to VOUT Pin, make minimum connection with the capacitor.
- ✧ Make Vss pin sufficient grounding, otherwise, the zero level within IC will varied with the switching current. This may result in unstable operation of IC.

Type Characteristics

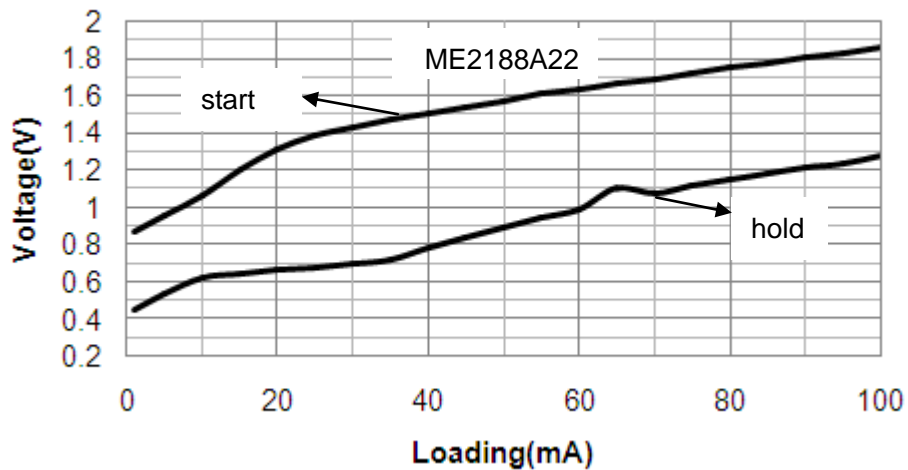
Vout vs. Loading

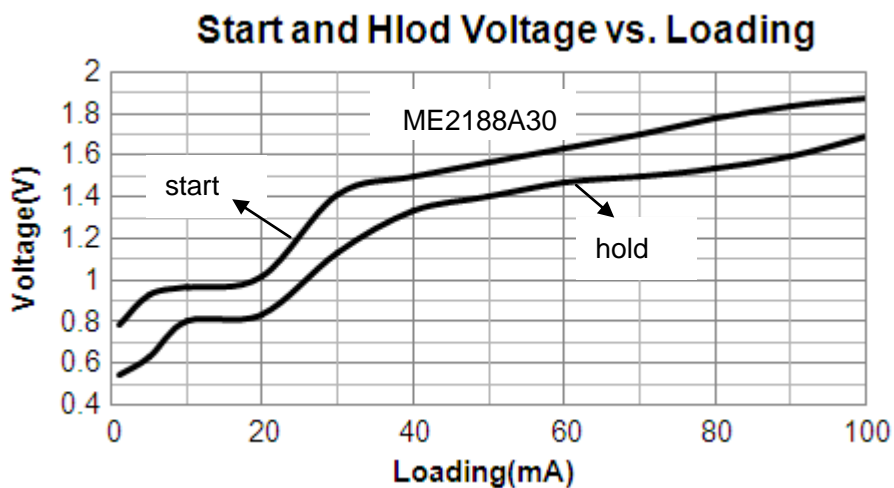
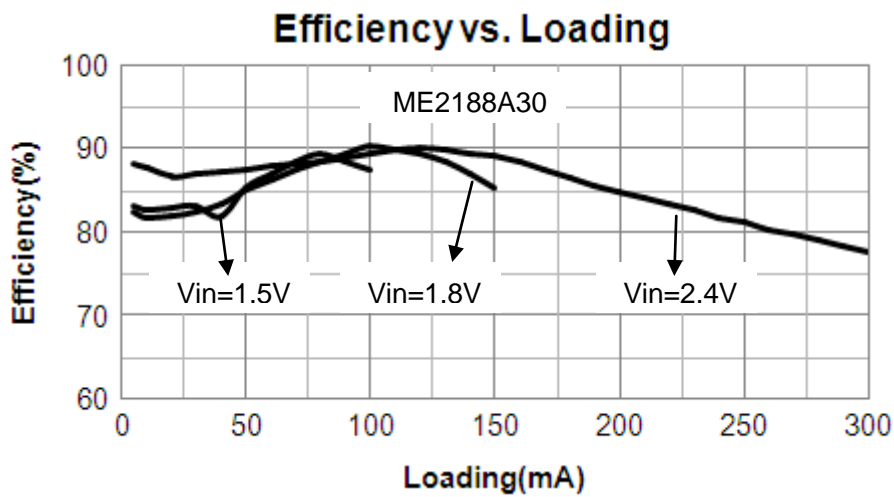
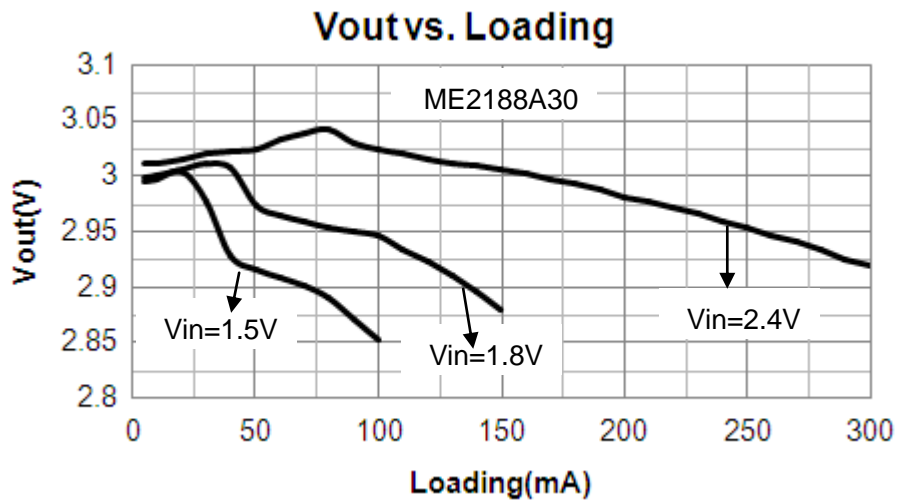


Efficiency vs. Loading



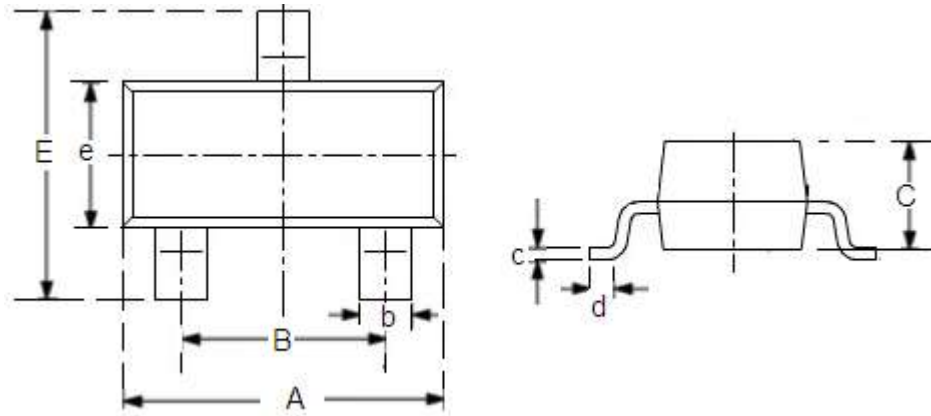
Start and Hold Voltage vs. Loading





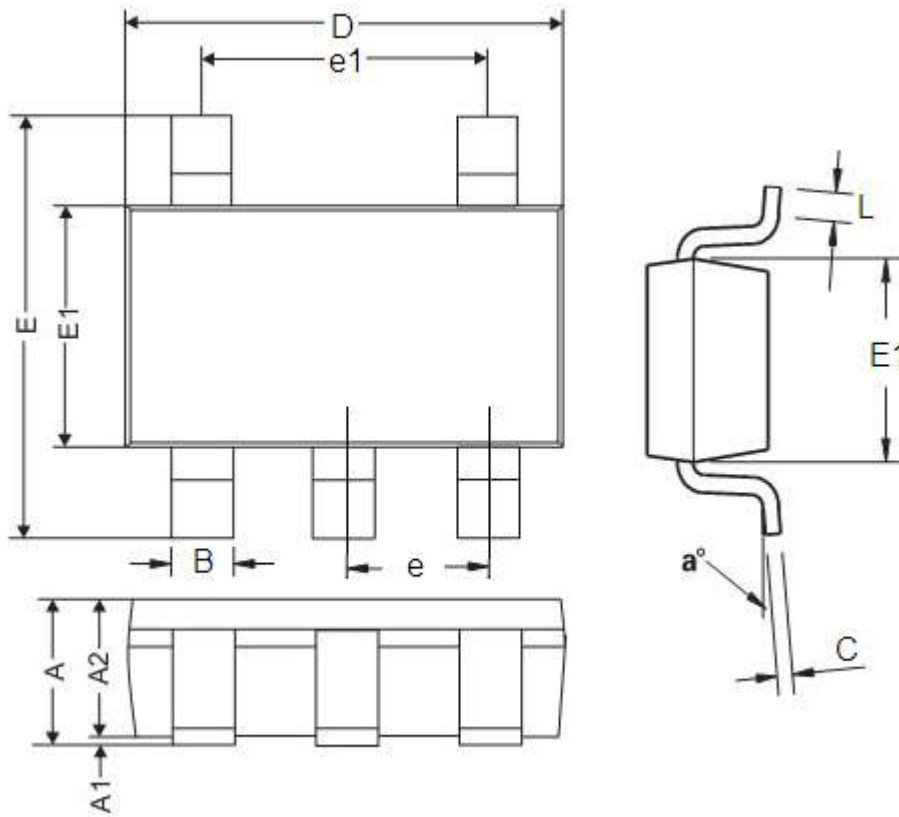
Packaging Information

● SOT23-3



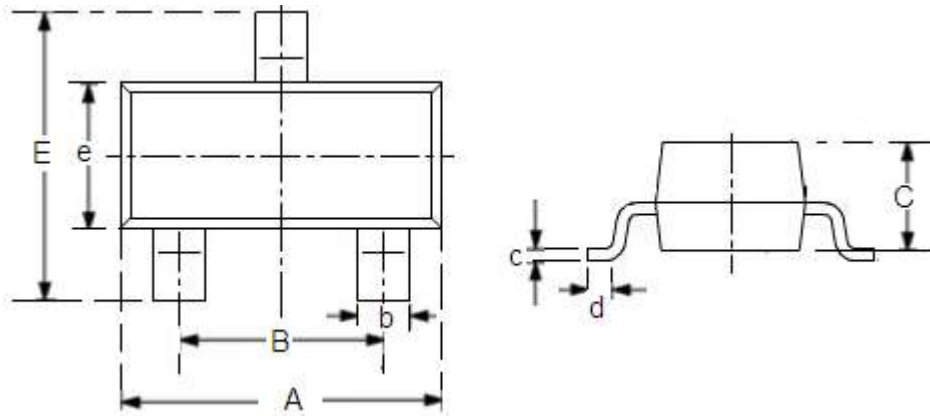
DIM	Millimeters		Inches	
	Min	Max	Min	Max
A	2.7	3.1	0.1063	0.122
B	1.7	2.1	0.0669	0.0827
b	0.35	0.5	0.0138	0.0197
C	1.0	1.2	0.0394	0.0472
c	0.1	0.25	0.0039	0.0098
d	0.2	-	0.0079	-
E	2.6	3.0	0.1023	0.1181
e	1.5	1.8	0.059	0.0708

● SOT23-5



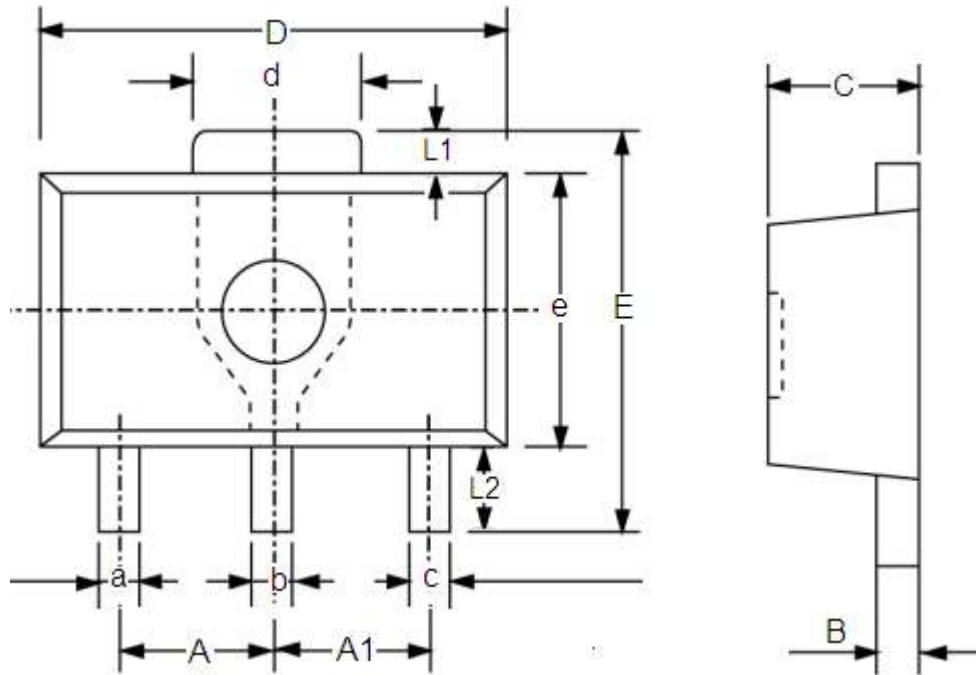
DIM	Millimeters		Inches	
	Min	Max	Min	Max
A	0.9	1.45	0.0354	0.0570
A1	0	0.15	0	0.0059
A2	0.9	1.3	0.0354	0.0511
B	0.2	0.5	0.0078	0.0196
C	0.09	0.26	0.0035	0.0102
D	2.7	3.10	0.1062	0.1220
E	2.2	3.2	0.0866	0.1181
E1	1.30	1.80	0.0511	0.0708
e	0.95REF		0.0374REF	
e1	1.90REF		0.0748REF	
L	0.10	0.60	0.0039	0.0236
a°	0°	30°	0°	30°

● SOT23



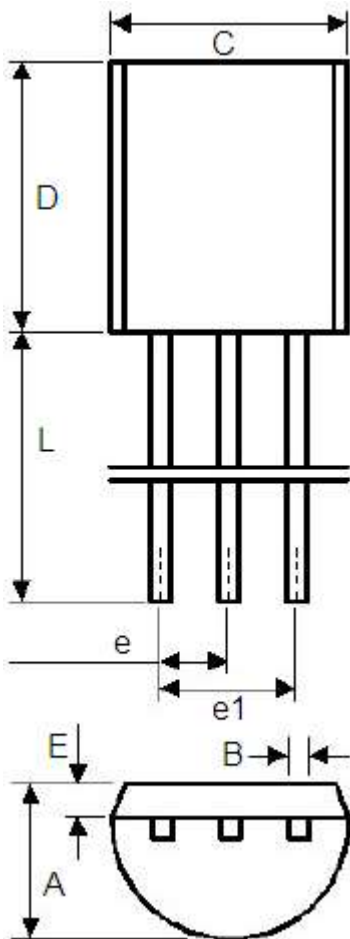
DIM	Millimeters		Inches	
	Min	Max	Min	Max
A	2.7	3.1	0.1063	0.122
B	1.7	2.1	0.0669	0.0827
b	0.35	0.5	0.0138	0.0197
C	1.0	1.2	0.0394	0.0472
c	0.1	0.25	0.0039	0.0098
d	0.2	-	0.0079	-
E	2.1	2.64	0.0827	0.1039
e	1.2	1.4	0.0472	0.0551

● SOT89-3



DIM	Millimeters		Inches	
	Min	Max	Min	Max
A	1.4	1.6	0.0551	0.0630
A1	1.4	1.6	0.0551	0.0630
a	0.36	0.48	0.0142	0.0189
b	0.41	0.53	0.0161	0.0209
c	0.36	0.48	0.0142	0.0189
d	1.4	1.75	0.0551	0.0689
B	0.38	0.43	0.015	0.0169
C	1.4	1.6	0.0551	0.0630
D	4.4	4.6	0.1732	0.181
E	-	4.25	-	0.1673
e	2.4	2.6	0.0945	0.1023
L1	0.4	-	0.0157	-
L2	0.8	-	0.0315	-

● TO-92



DIM	Millimeters		Inches	
	Min	Max	Min	Max
A	3.4	3.8	0.13386	0.1496
B	0.3	0.5	0.0118	0.0197
C	4.4	4.8	0.1732	0.189
D	4.4	4.8	0.1732	0.189
E	0.9	1.5	0.0354	0.059
e	1.17	1.37	0.046	0.0539
e1	2.39	2.69	0.094	0.1059
L	12	16	0.4724	0.6299

- The information described herein is subject to change without notice.
- Nanjing Micro One Electronics Inc is not responsible for any problems caused by circuits or diagrams described herein whose related industrial properties, patents, or other rights belong to third parties. The application circuit examples explain typical applications of the products, and do not guarantee the success of any specific mass-production design.
- Use of the information described herein for other purposes and/or reproduction or copying without the express permission of Nanjing Micro One Electronics Inc is strictly prohibited.
- The products described herein cannot be used as part of any device or equipment affecting the human body, such as exercise equipment, medical equipment, security systems, gas equipment, or any apparatus installed in airplanes and other vehicles, without prior written permission of Nanjing Micro One Electronics Inc.
- Although Nanjing Micro One Electronics Inc exerts the greatest possible effort to ensure high quality and reliability, the failure or malfunction of semiconductor products may occur. The user of these products should therefore give thorough consideration to safety design, including redundancy, fire-prevention measures, and malfunction prevention, to prevent any accidents, fires, or community damage that may ensue.